

FECS44-1000 / -5000

- for the Detection of High Concentration Ammonia

Features:

- * High selectivity to NH₃
- * Small influence by H₂S
- * Excellent durability to NH₃ exposure
- * Linear output
- * Long life
- * Stable baseline
- * Unique leak-proof structure

The FECS44 is a unique electrochemical-type ammonia sensor. Its most notable features are small influence by H₂S, excellent durability to NH₃ exposure, and a unique leak-proof structure. These features make the sensor ideal for NH₃ monitors and detectors in various fields.

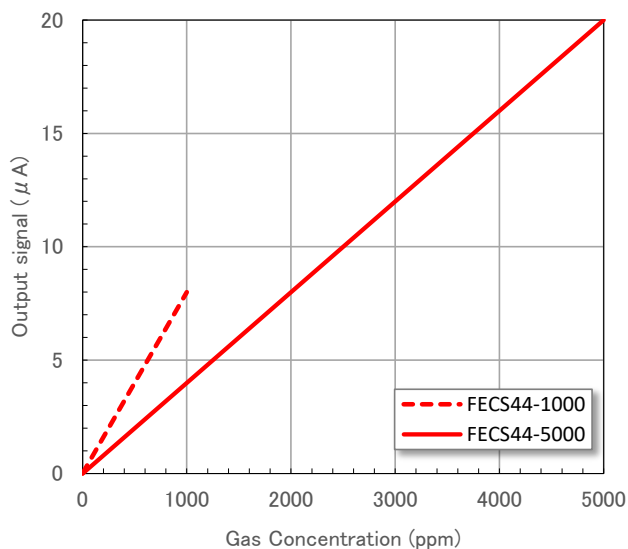
Applications:

- * Portable and fixed installation NH₃ monitors
- * NH₃ detectors
- * Ammonia leak detection in refrigerators



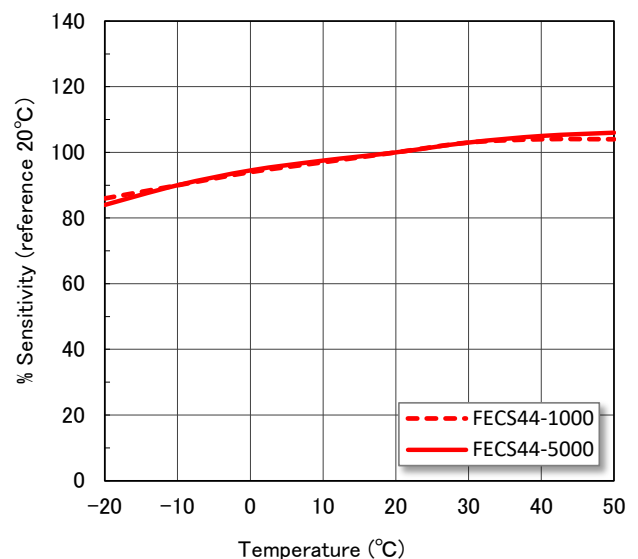
Sensitivity Characteristics:

Typical characteristics (linearity) of FECS44-1000 / -5000 (20°C) are shown below.



Temperature Dependency:

Typical characteristics (temperature dependency) of FECS44-1000 / -5000 are shown below.



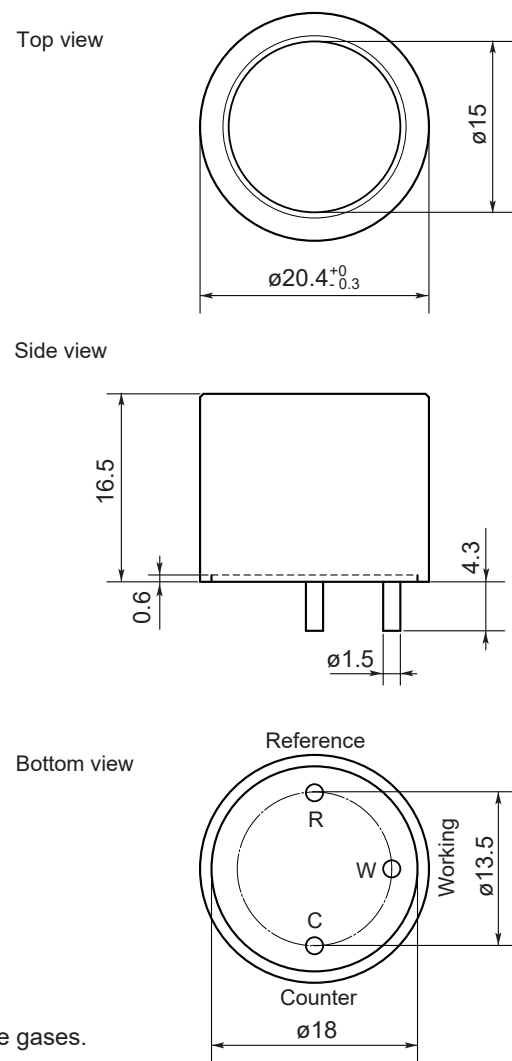
Specifications:

Model Number	FECS44-1000	FECS44-5000
Detection Gas	Ammonia	
Detection Range	0 ~ 1000 ppm	0 ~ 5000 ppm
Maximum Overload	2500 ppm	5000 ppm
Output Signal	8 ± 4 nA/ppm (*1)	4 ± 2 nA/ppm (*1)
Repeatability	±10% (*)	
Resolution	10 ppm (*1)	20 ppm (*1)
Baseline Range (Clean air)	±6 ppm (*1)	±10ppm (*1)
Response Time (t ₉₀)	120 sec (typical)(*1)	150 sec (typical)(*1)
Baseline Shift (-30 ~ 40°C)	< 20 ppm(*1)	< 40 ppm(*1)
Long Term Output Drift	< 2% /month (*1)	
Expected Life Time	> 2 years (*1,*2)	
Operating Temperature	-30 ~ 50°C	
Operating Humidity	15 ~ 90% RH	
Operating Pressure Range	1013 hPa ±10%	
Recommended Load Resistor	33Ω	
Bias Voltage	Not required	
Position Sensitivity	None	
Recommended Storage Temp.	0 ~ 20°C	
Cap Color	Purple	
Weight	4.5g (approx.)	

*1 Factory test data conditions: 20°C, 50%RH and 1013 hPa.

*2 Life expectancy in normal air under the factory test conditions is defined as the period until sensor output drops to 60% of its original value.

Dimensions:



Unit: mm

All tolerance ± 0.1mm unless otherwise stated.

Cross Sensitivity Data :

Table1 shows the typical response of FECS44-1000 / -5000 to interference gases.

Table1 Cross Sensitivity of FECS44-1000 / -5000 (20°C)

Gas	Concentration (ppm)	Typical Ammonia Concentration(ppm) Equivalent	
		FECS44-1000	FECS44-5000
Ammonia	100	100	100
Hydrogen Sulfide	20	0	0
Sulphur Dioxide	20	-8	-12
Carbon Dioxide	5,000	0	0
Carbon Monoxide	300	0	0
Hydrogen	1,000	0	0
Nitrogen Dioxide	20	0	0
Nitric Oxide	30	0	0
Ethanol	100	0	0

FIGARO ENGINEERING INC.
 1-5-11 Senba-nishi
 Mino, Osaka 562-8505 JAPAN
 Phone: (81)-727-28-2045
 URL: www.figaro.co.jp/en/