

FECS43-20 - for the Detection of Sulfur Dioxide

Features:

- * High sensitivity/selectivity to SO₂
- * Quick response to SO₂
- * Linear output
- * Long life
- * Stable output signal at high-temperature
- * Unique leak-proof structure

The FECS43-20 is a unique electrochemical-type sulfur dioxide sensor. Its most notable features are stable output signal at high-temperature and a unique leak-proof structure. These features make the sensor ideal for SO₂ monitors and detectors in various fields.

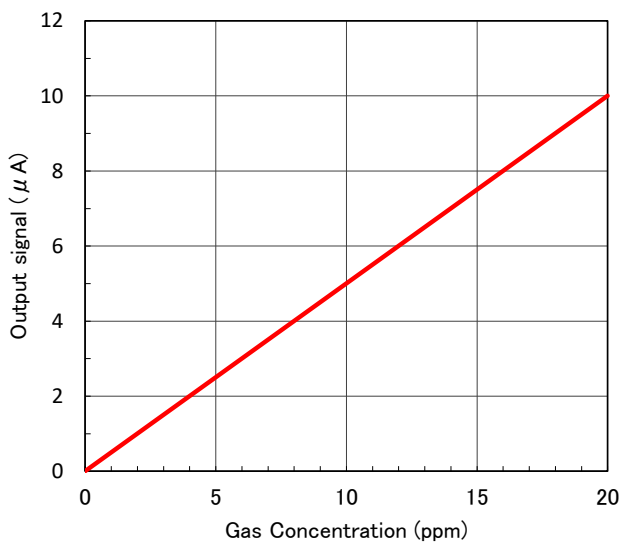
Applications:

- * Portable and fixed installation SO₂ monitors
- * SO₂ detectors



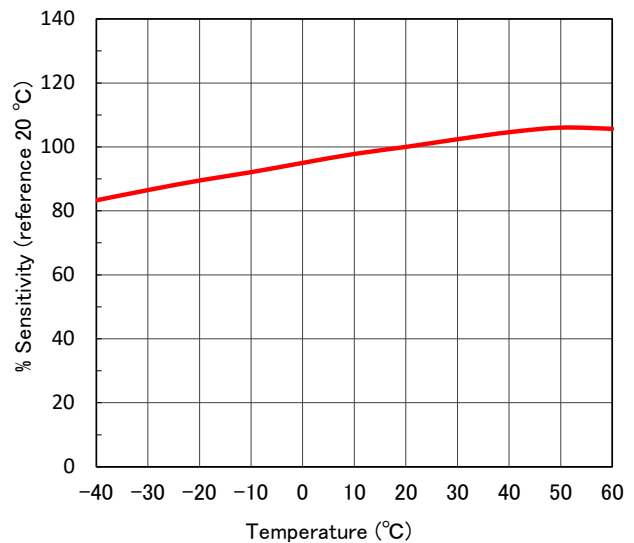
Sensitivity Characteristics:

Typical characteristics (linearity) of FECS43-20 (25°C) are shown below.



Temperature Dependency:

Typical characteristics (temperature dependency) of FECS43-20 are shown below.



Specifications:

Detection Gas	Sulfur Dioxide
Detection Range	0 ~ 20 ppm
Maximum Overload	150 ppm
Output Signal	500 ± 100 nA/ppm (*1)
Repeatability	±2% (*1)
Resolution	0.1 ppm (*1)
Baseline Range (Clean air)	-0.2 ~ +0.5 ppm (*1)
Response Time (t ₉₀)	< 25 sec (*1)
Baseline Shift (-20 ~ 40°C)	-0.2 ~ +0.2 ppm (*1)
Long Term Output Drift	< 2% /month (*1)
Expected Life Time	> 2 years (*1,*2)
Operating Temperature	-30 ~ 50°C
Operating Humidity	15 ~ 90% RH
Operating Pressure Range	1013 hPa ±10%
Recommended Load Resistor	10Ω
Bias Voltage	Not required
Position Sensitivity	None
Recommended Storage Temp.	0 ~ 20°C
Cap Color	Green
Weight	4.5g (approx.)

*1 Factory test data conditions: 20°C, 50%RH and 1013 hPa.

*2 Life expectancy in normal air under the factory test conditions is defined as the period until sensor output drops to 60% of its original value.

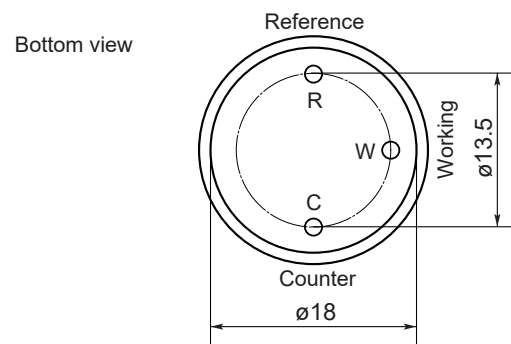
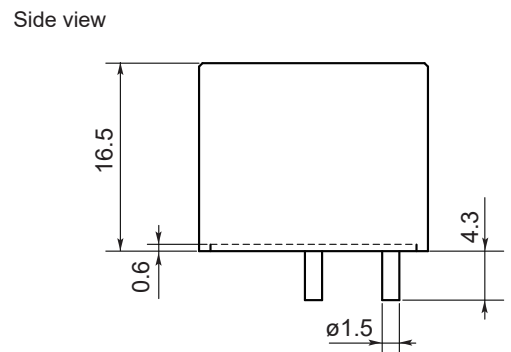
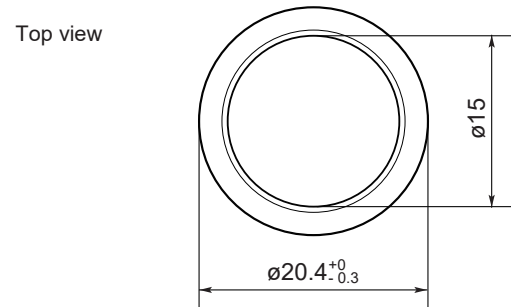
Cross Sensitivity Data :

Table1 shows the typical response of FECS43-20 to interference gases.

Table1 Cross Sensitivity of FECS43-20 (25°C)

Gas	Concentration (ppm)	Typical Sulfur Dioxide Concentration(ppm)Equivalent
Sulfur Dioxide	10	10
Carbon Monoxide	300	< 1
Carbon Dioxide	5,000	0
Hydrogen	400	< 1
Hydrogen Sulfide	15	0
Nitric Oxide	50	1
Nitrogen Dioxide	10	-10
Ammonia	20	0
Chlorine	5	-1

Dimensions:



Unit: mm

All tolerance ± 0.1mm unless otherwise stated.

FIGARO ENGINEERING INC.
 1-5-11 Senba-nishi
 Mino, Osaka 562-8505 JAPAN
 Phone: (81)-727-28-2045
 URL: www.figaro.co.jp/en/