



- Tested and approved in compliance with IEC 60945/DNV
- Intel Atom Dual Core E3825 1.3 GHz SoC
- 1 x 2.5" SATA HDD / SSD Bay and 1 x HDMI
- 2 x GbE for multiple network connections
- 1 x Mini PCIe, full size, (eg. WLAN or WWAN module)
- IP40

CAPAX®



CAPAX-Marine321 - fanless and Ultra-Compact, Box PC for marine applications, tested and approved in compliance with EC 60945 and DNV.

Turnkey and ready for tough environment! Delivered with new Intel Atom Bay Trail processor, Dual GbE and Dual COM and O/S Windows or Linux. The computer has an extremely small size and low power consumption, enough storage and expansion capabilities for easy implementation.

Processor System

- CPU: Intel Atom™ Processor E3825 Dual Core SoC

Memory

- DDR3L 1066MHz up to 8GB Max. Capacity: 8 GB

Graphics

- Chipset: 7th Gen. Intel Graphic core
- Graphic Engine: DirectX* 11.1, OGL 3.0, OCL 1.1, OGL ES 2.0 support

Audio

- ALC-888S, High Definition Audio. Line-out & Line

Ethernet

2 x 10/100/1000 Mbps Intel I210 GbE

I/O Interface

- Serial Ports: 2 x RS-232/422/485 (BIOS selectable)
- USB Interface: 2 x USB 2.0 & 1 x USB3.0

Other

- Watchdog timer: 255-level timer interval, setup by software

Power Requirement

- Power Input Voltage: 100-240VAC, 50-60Hz

Expansion

- Mini PCIe: 1 x Full-size Mini PCIe, 1 x Half-size Mini PCIe, support mSATA

Storage

- 2.5" Drive Bay: 1 x 2.5" SATA SDD up to 480 GB

Software Support

- Microsoft Windows 7/8, Linux

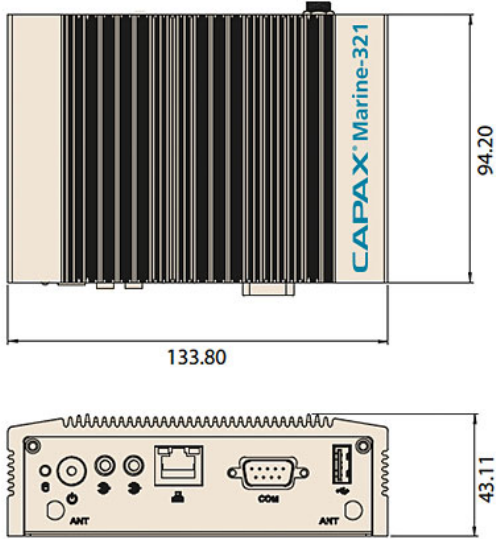
Environment

- Operating Temperature: -15° - +55°C
- Storage Temperature: -40 ~ 85° C (-40~185° F)
- Vibration During Operation: 0.7g 4-100 Hz, DNV class A, §3.6, IEC 60945, §8.7
- Shock During Operation: 30 G, IEC 60068-2-27, half sine, 11 ms duration
- EMC: CE/FCC Class A, CCC, BSMI
- Safety: UL, CCC, BSMI, CB

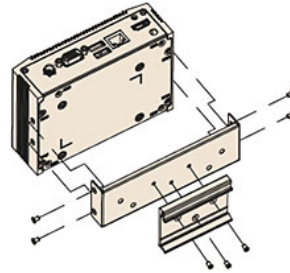
Mechanical

- Construction: Aluminum housing
- Mounting: VESA/DIN Rail/Wall Mounting Kits (Optional)
- Dimensions: 133.8 x 94.2 x 43.1 mm (WxHxD)

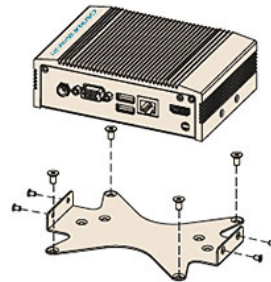
DIMENSIONS AND MECHANICAL LAYOUT/DRAWING:



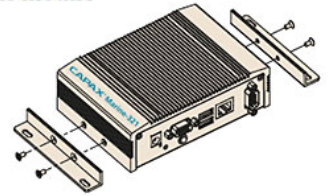
DIN Rail



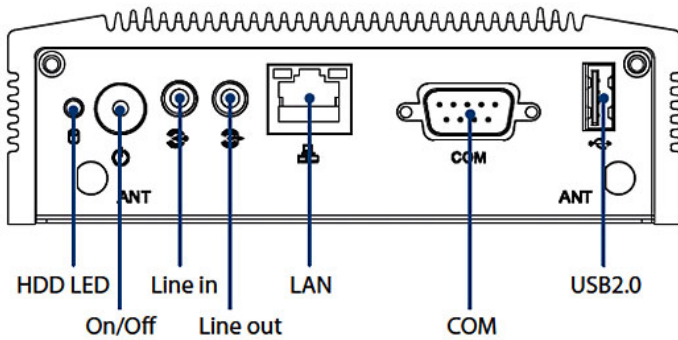
VESA mount



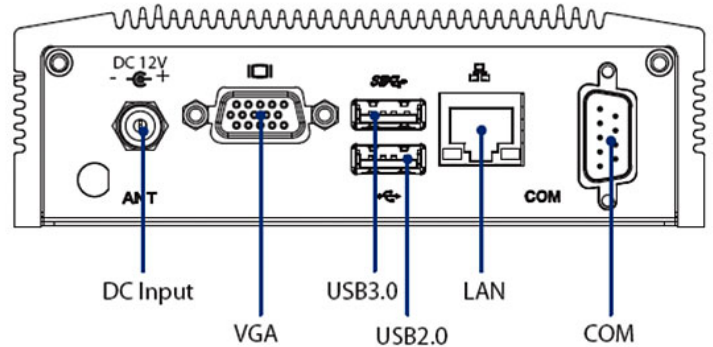
Wall mount



Front Panel External I/O



Rear Panel External I/O



Note: VGA do not support hot plug function due to Intel's constraint



Packing list	Embedded OS	Ordering information
<p>CAPAX-Marine321 60W external PSU VAC Power cable, EU Mounting plates x 2 Screws for mount x 4 User Manual, english</p>	<p>Windows 7 Embedded Optional: Windows 7/8, Linux, Android</p>	<p>Article: CAPAX-Marine321</p>



STOCKHOLM: ACTE Solutions AB | Box 4115 | SE-171 04 Solna | Sweden | Phone +46 8 445 28 00
 GOTHENBURG: A Odhners gata 7 | SE-421 30 Västra Frölunda | Sweden | Phone +46 31 709 68 00
 NORRKÖPING: Ståthögavägen 48 | Norrköping | Sweden | Phone +46 8 445 28 00
 info@acte.se | www.actesolutions.se